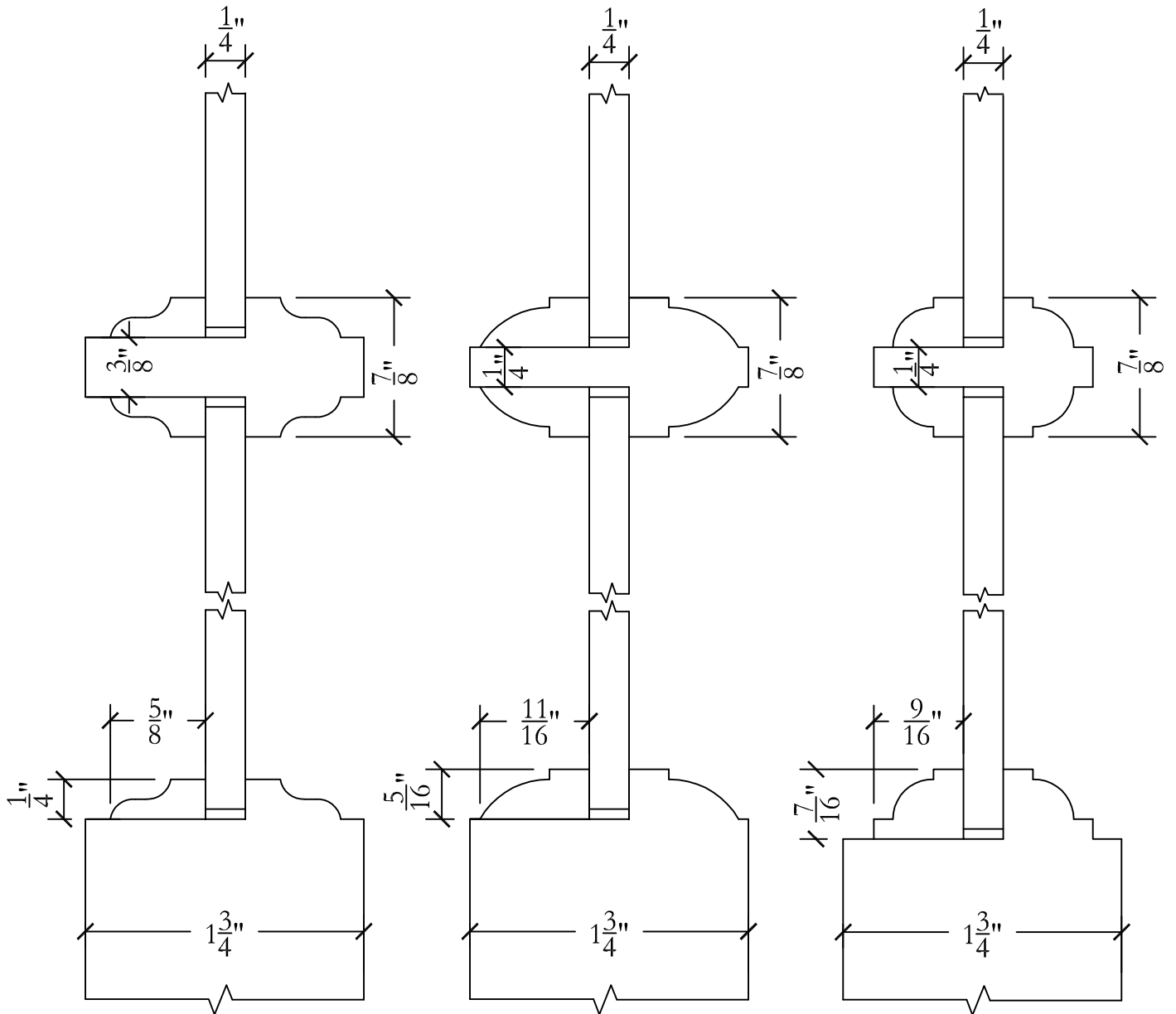


PROFILE 40.1  
7/8" TDL MUNTIN WITH  
1/8" GLASS

PROFILE 40.2  
7/8" TDL MUNTIN WITH  
1/4" GLASS

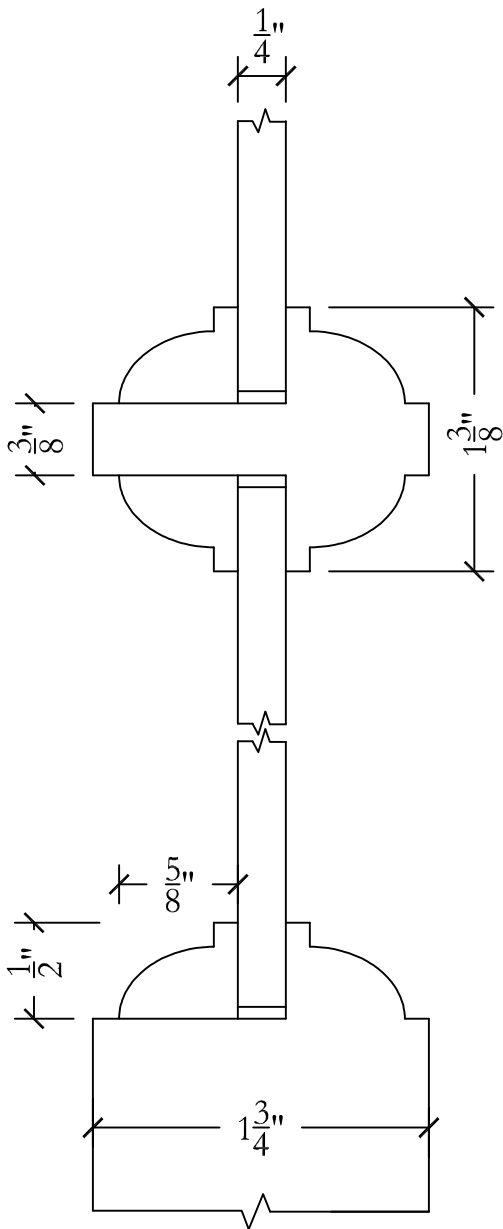
PROFILE 40.3  
7/8" TDL MUNTIN WITH  
1/4" GLASS



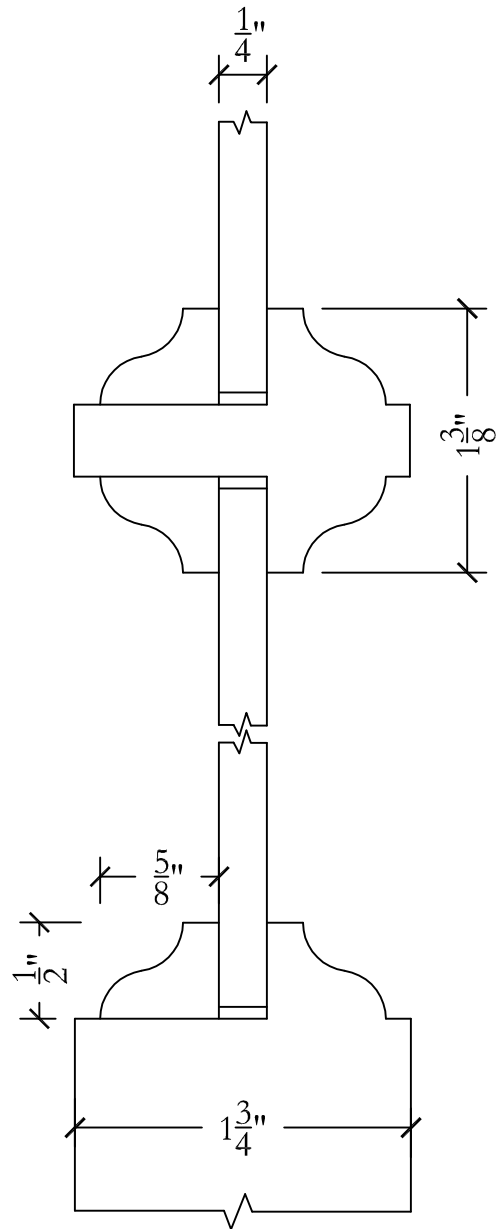
PROFILE 41.1  
 7/8" TDL MUNTIN WITH  
 1/4" GLASS

PROFILE 41.2  
 7/8" TDL MUNTIN WITH  
 1/4" GLASS

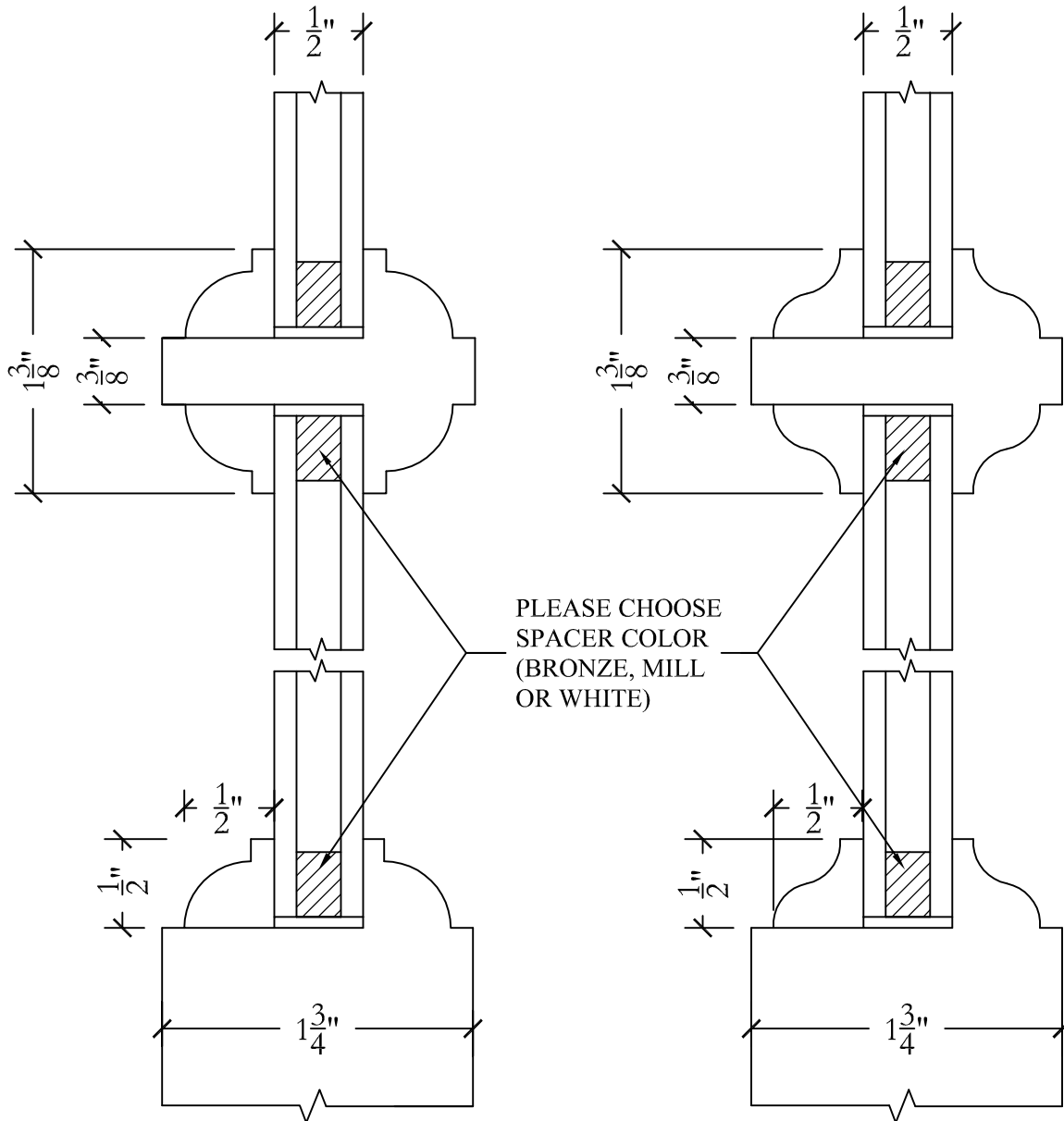
PROFILE 41.3  
 7/8" TDL MUNTIN WITH  
 1/4" GLASS



PROFILE 42.1  
 1 3/8" TDL MUNTIN WITH  
 1/4" GLASS

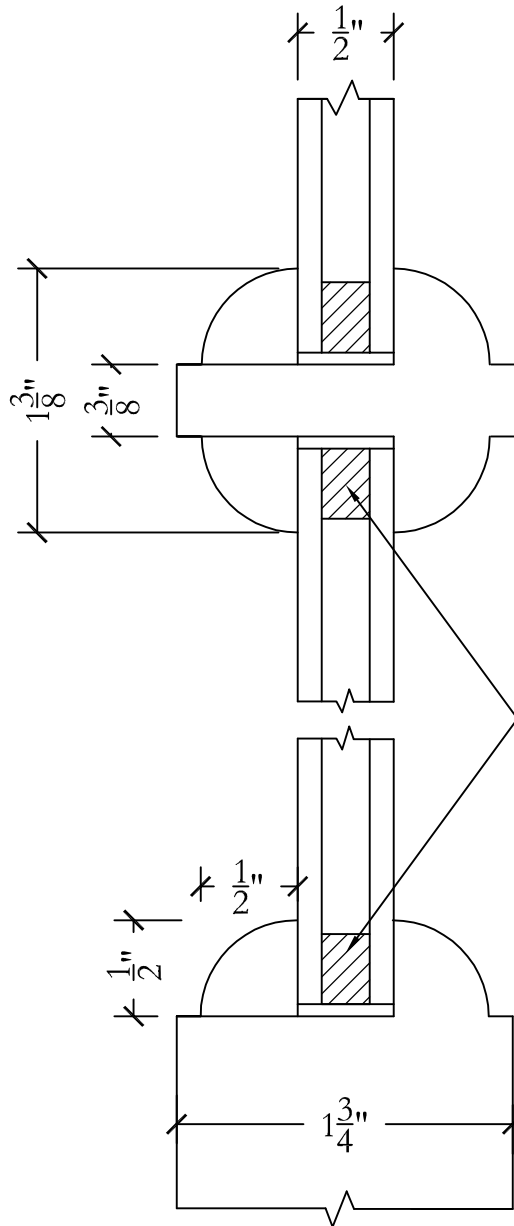


PROFILE 42.2  
 1 3/8" TDL MUNTIN WITH  
 1/4" GLASS



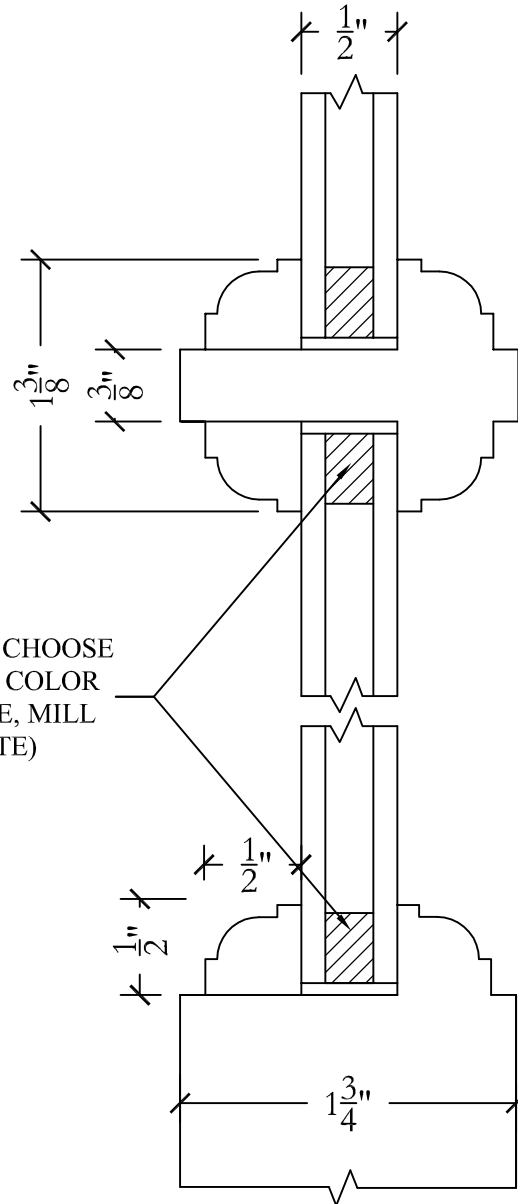
PROFILE 43.1  
1 3/8" TDL MUNTIN WITH  
1/2" INSULATED GLASS

PROFILE 43.2  
1 3/8" TDL MUNTIN WITH  
1/2" INSULATED GLASS



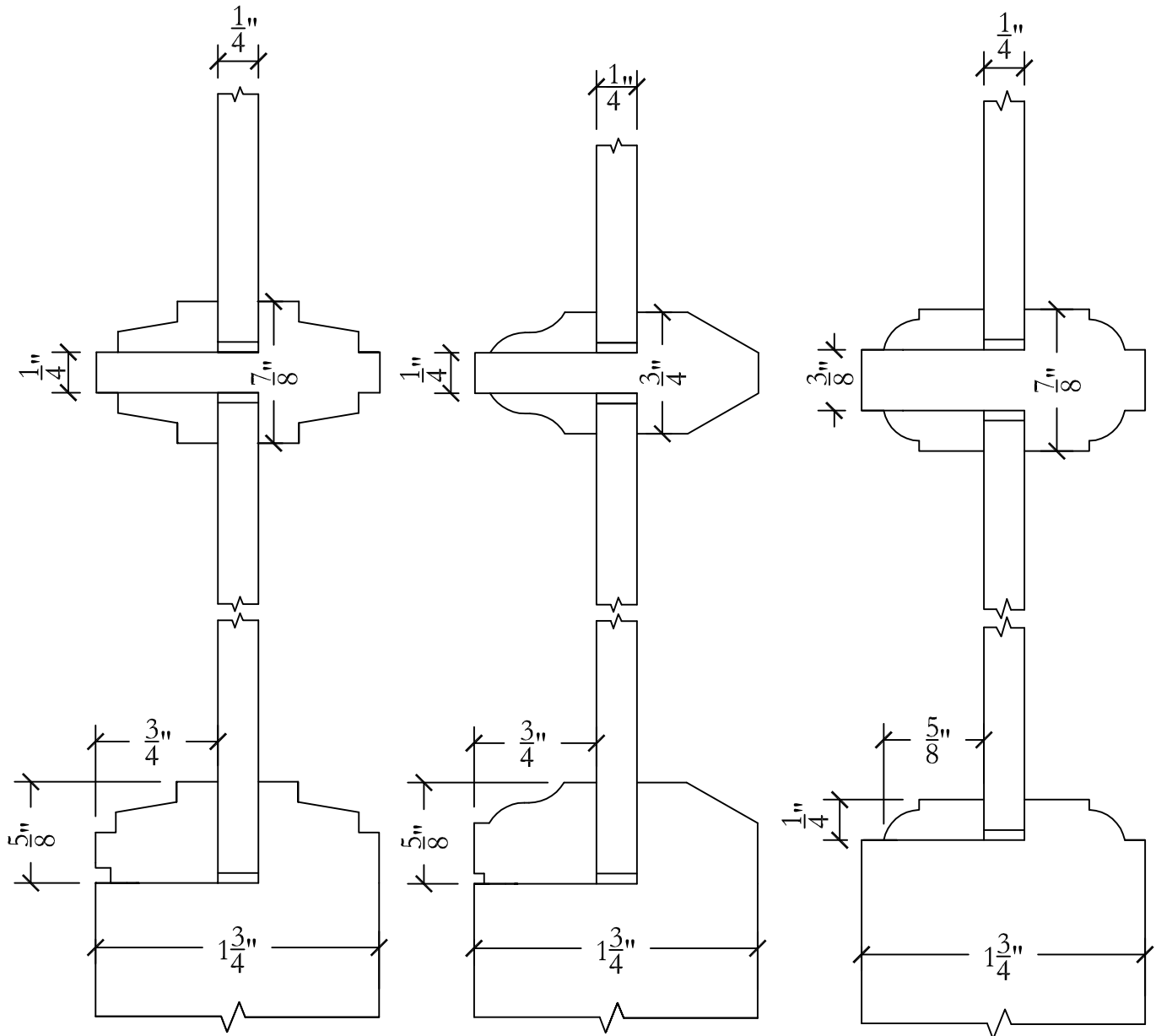
PROFILE 44.1

1 3/8" TDL MUNTIN WITH  
1/2" INSULATED GLASS



PROFILE 44.2

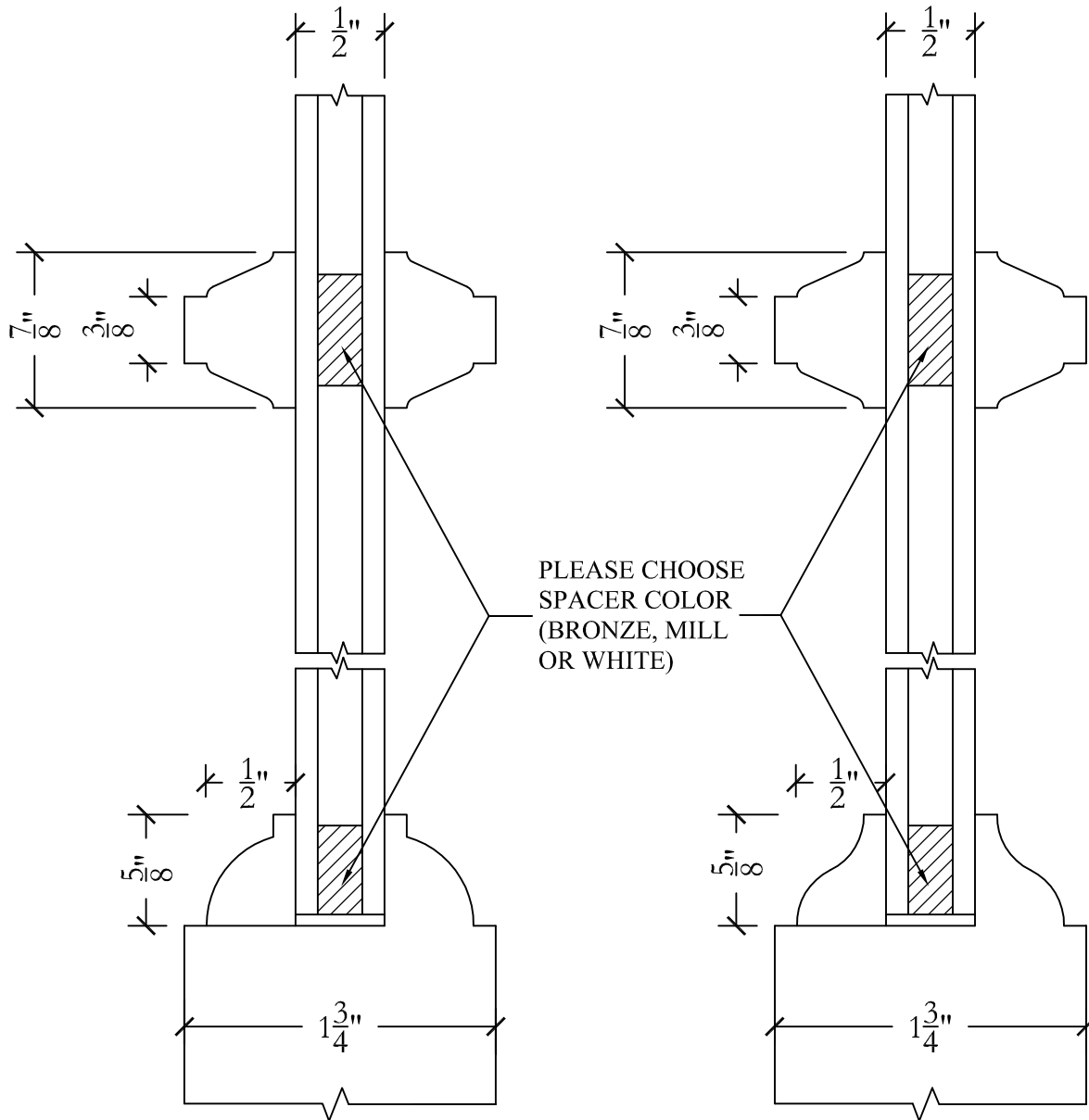
1 3/8" TDL MUNTIN WITH  
1/2" INSULATED GLASS



PROFILE 45.1  
 7/8" TDL MUNTIN WITH  
 1/4" GLASS

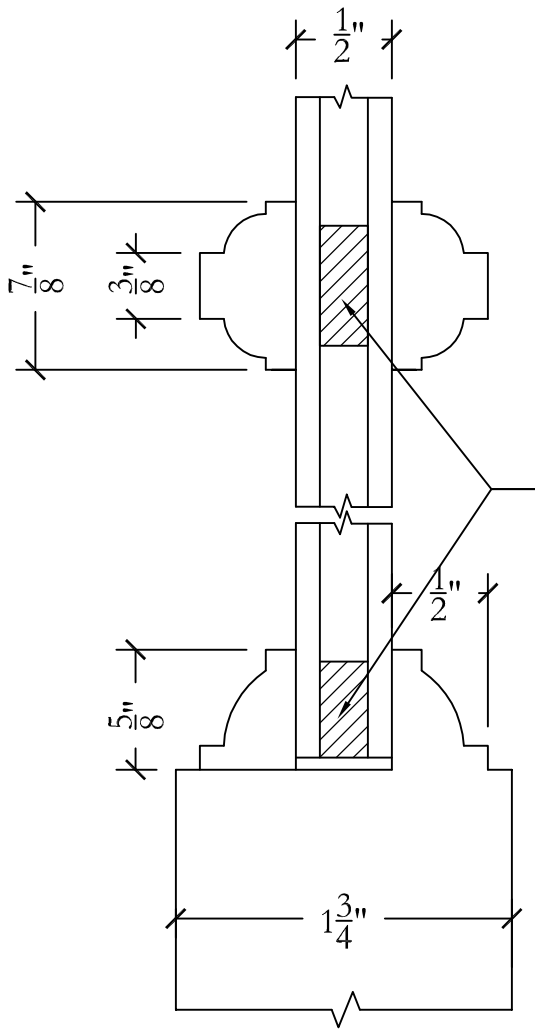
PROFILE 45.2  
 3/4" TDL MUNTIN WITH  
 1/4" GLASS

PROFILE 45.3  
 7/8" TDL MUNTIN WITH  
 1/4" GLASS

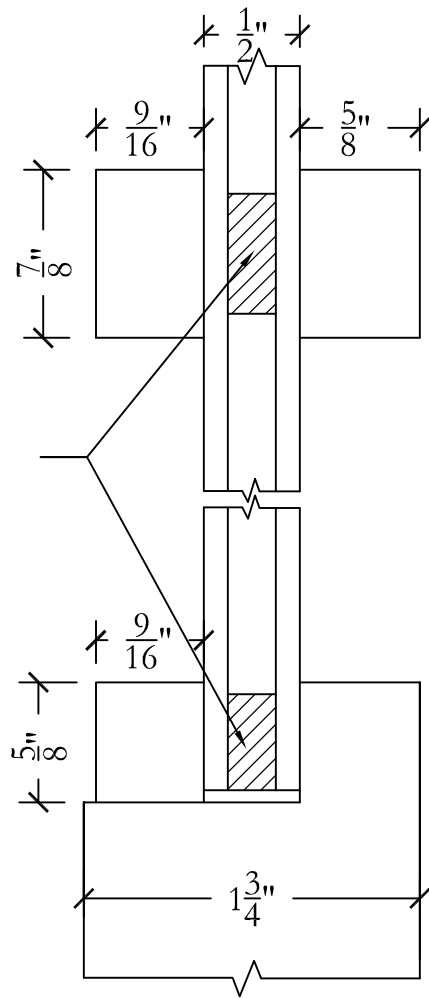


PROFILE 46.1  
7/8" SDL MUNTIN WITH  
1/2" INSULATED GLASS

PROFILE 46.2  
7/8" SDL MUNTIN WITH  
1/2" INSULATED GLASS



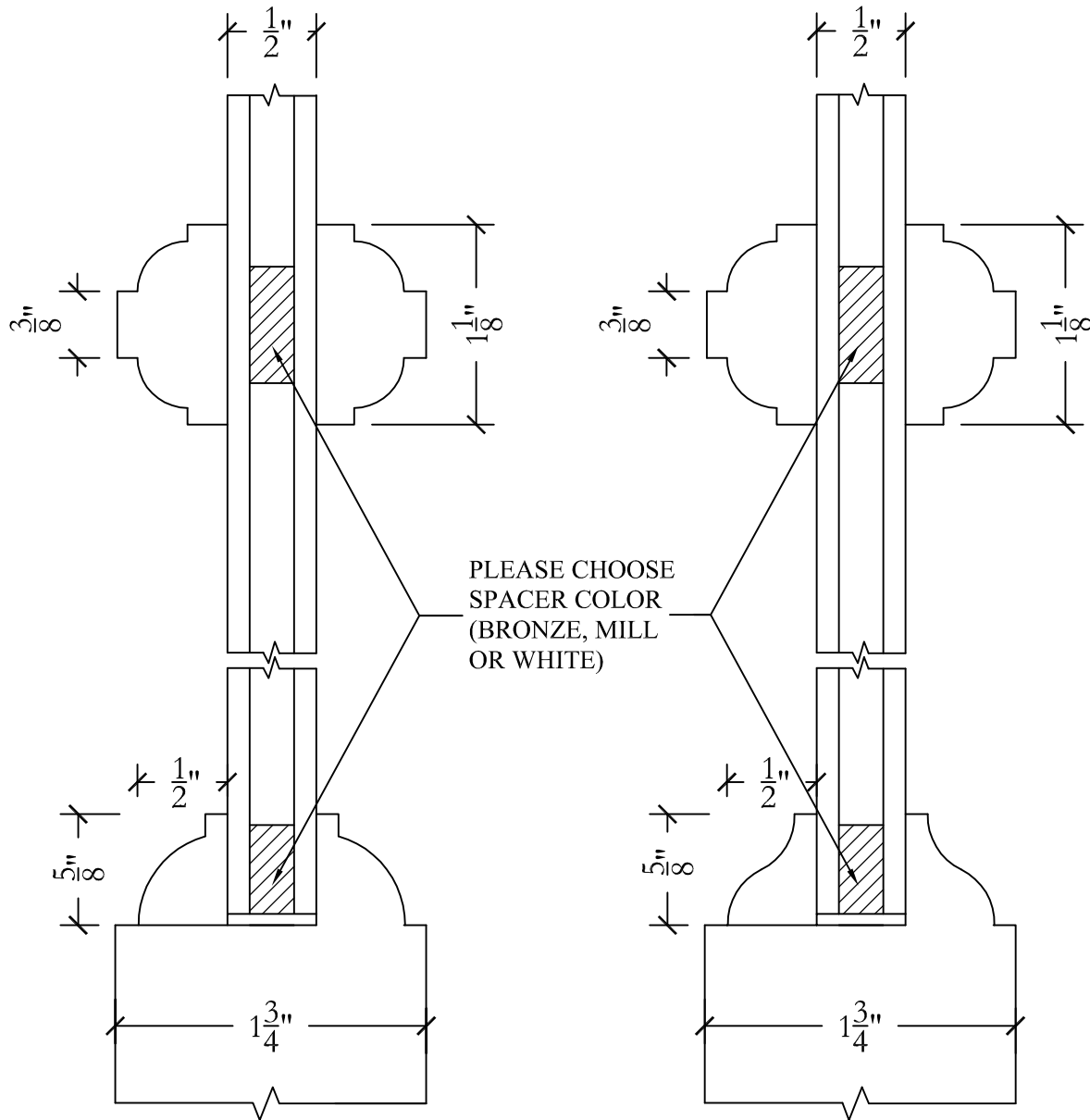
PROFILE 46.3  
7/8" SDL MUNTIN WITH  
1/2" INSULATED GLASS



PROFILE 46.4  
7/8" SQUARE SDL MUNTIN WITH  
1/2" INSULATED GLASS

PLEASE CHOOSE  
SPACER COLOR  
(BRONZE, MILL  
OR WHITE)

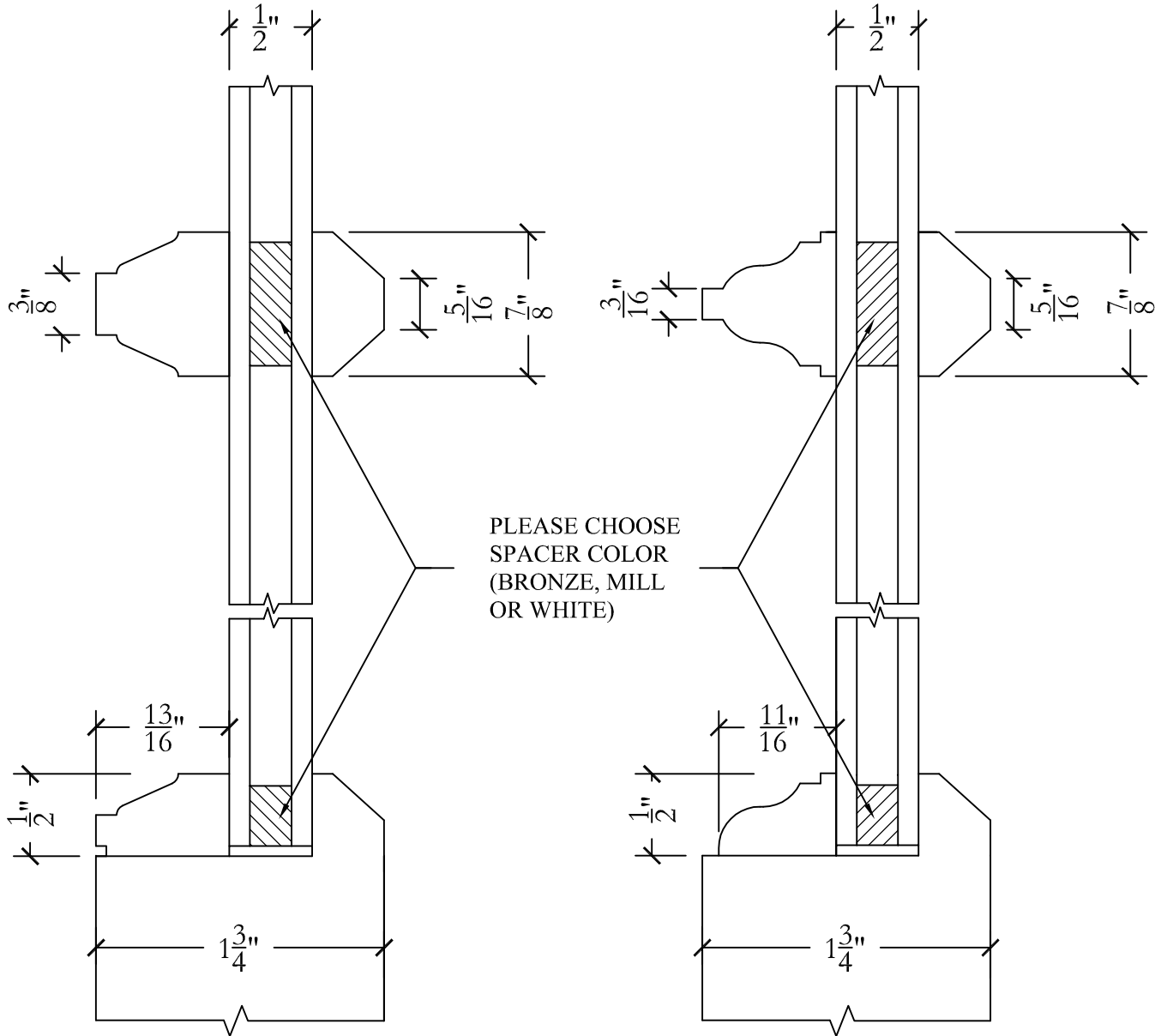




PLEASE CHOOSE  
SPACER COLOR  
(BRONZE, MILL  
OR WHITE)

PROFILE 47.1  
1" SDL MUNTIN WITH  
1/2" INSULATED GLASS

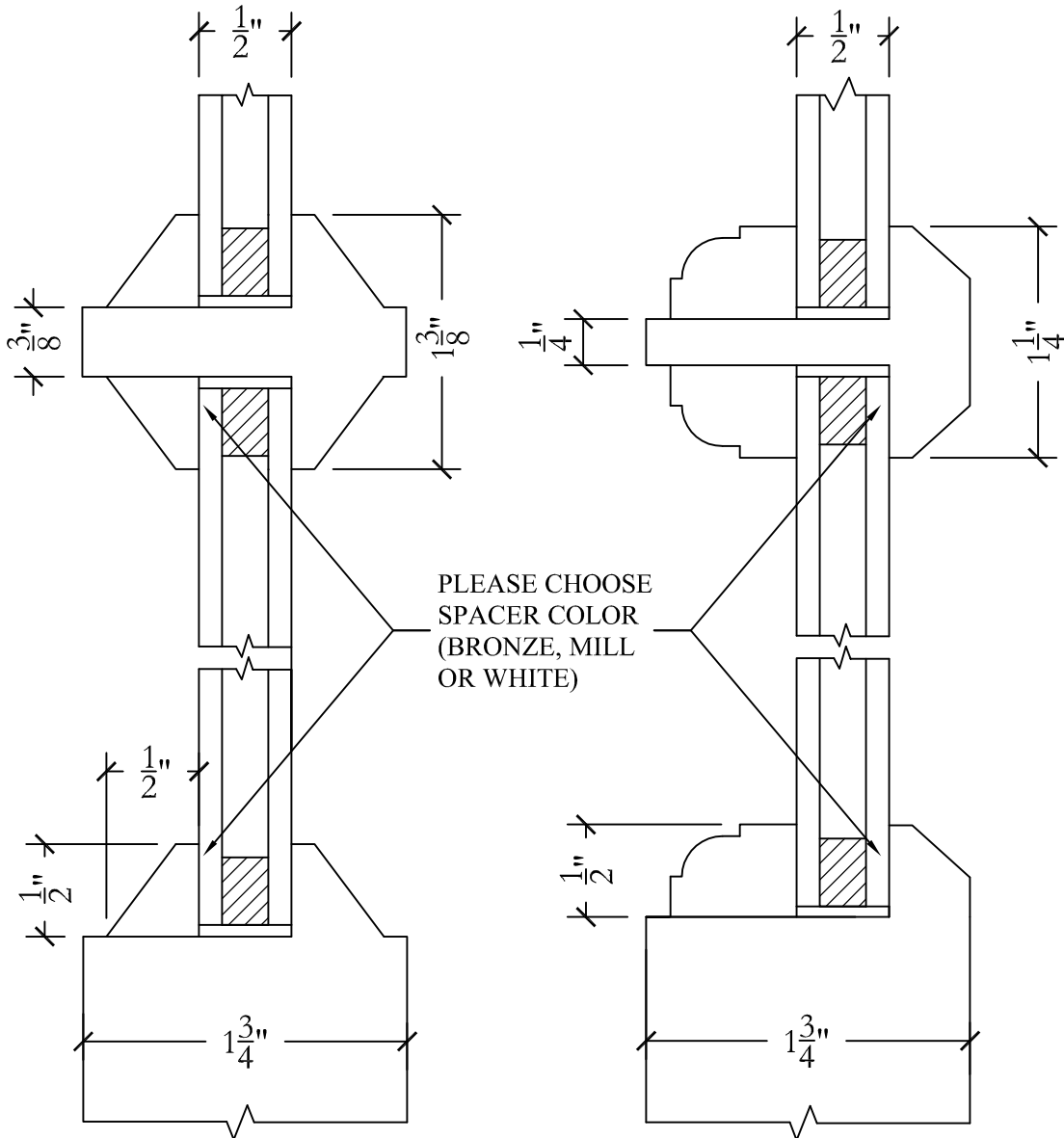
PROFILE 47.2  
1" SDL MUNTIN WITH  
1/2" INSULATED GLASS



PLEASE CHOOSE  
 SPACER COLOR  
 (BRONZE, MILL  
 OR WHITE)

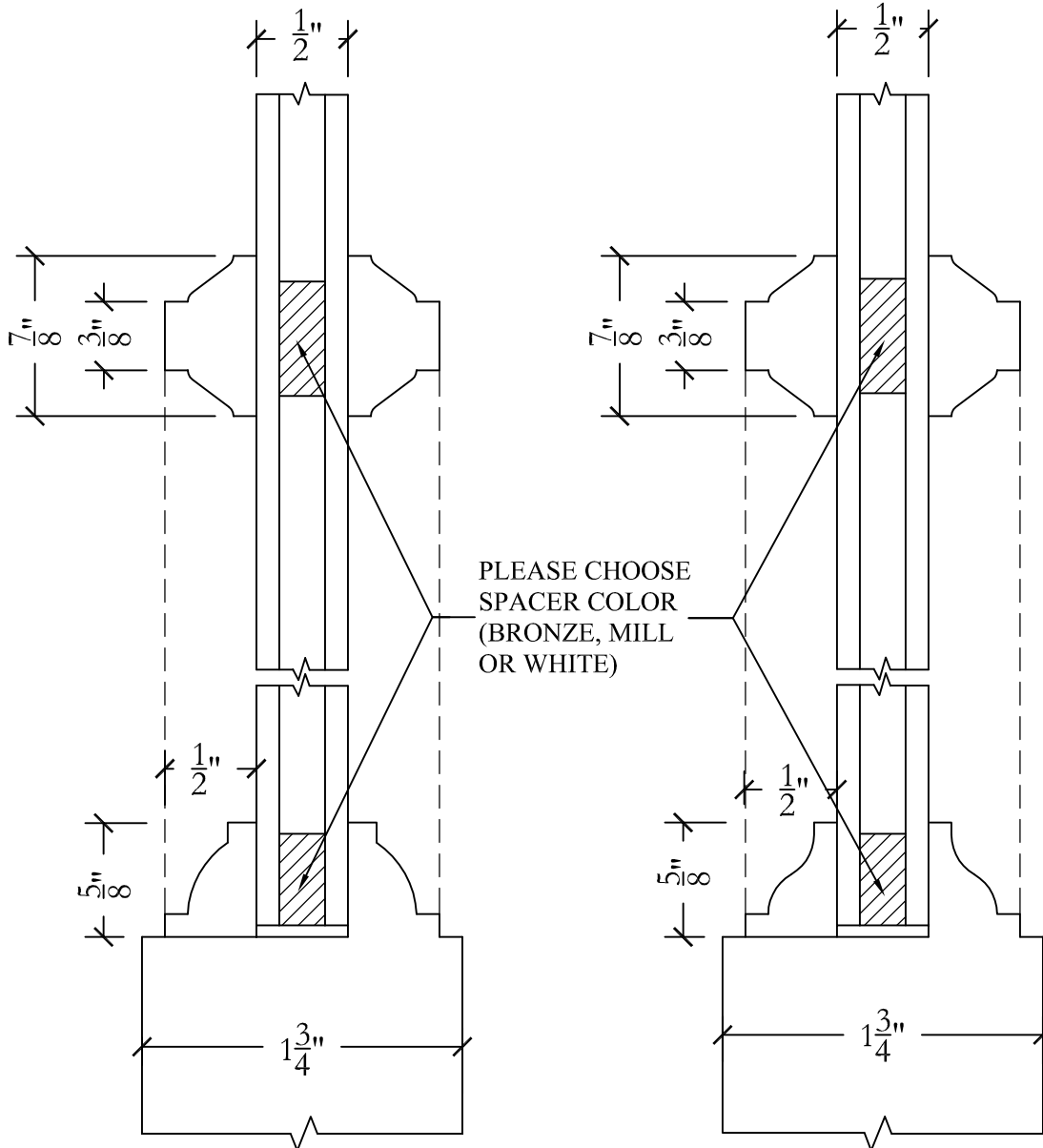
PROFILE 48.1  
 7/8" SDL MUNTIN WITH  
 1/2" INSULATED GLASS

PROFILE 48.2  
 7/8" SDL MUNTIN WITH  
 1/2" INSULATED GLASS



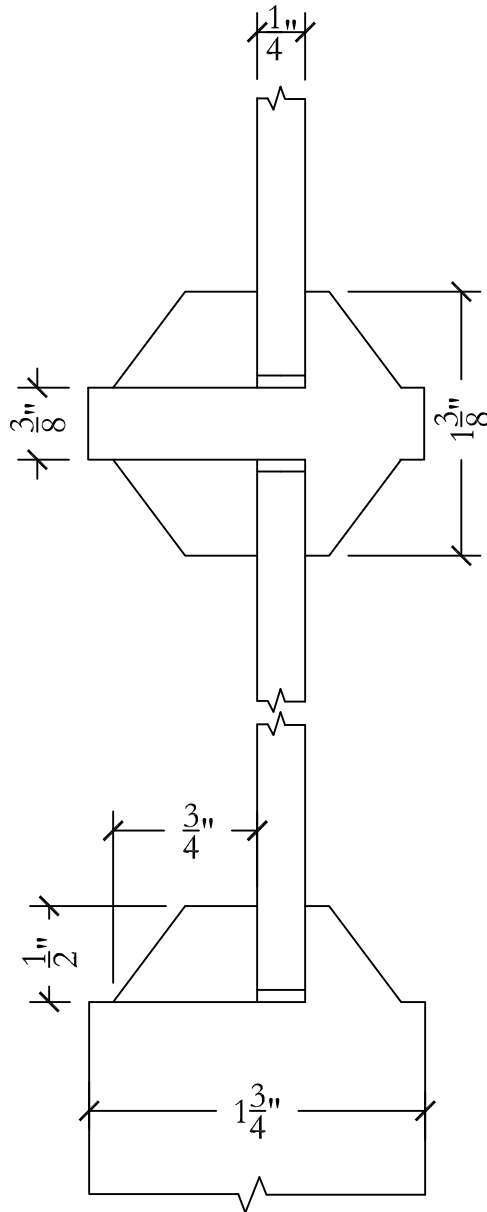
PROFILE 49.1  
1 3/8" TDL MUNTIN WITH  
1/2" INSULATED GLASS

PROFILE 49.2  
1 1/4" TDL MUNTIN WITH  
1/2" INSULATED GLASS

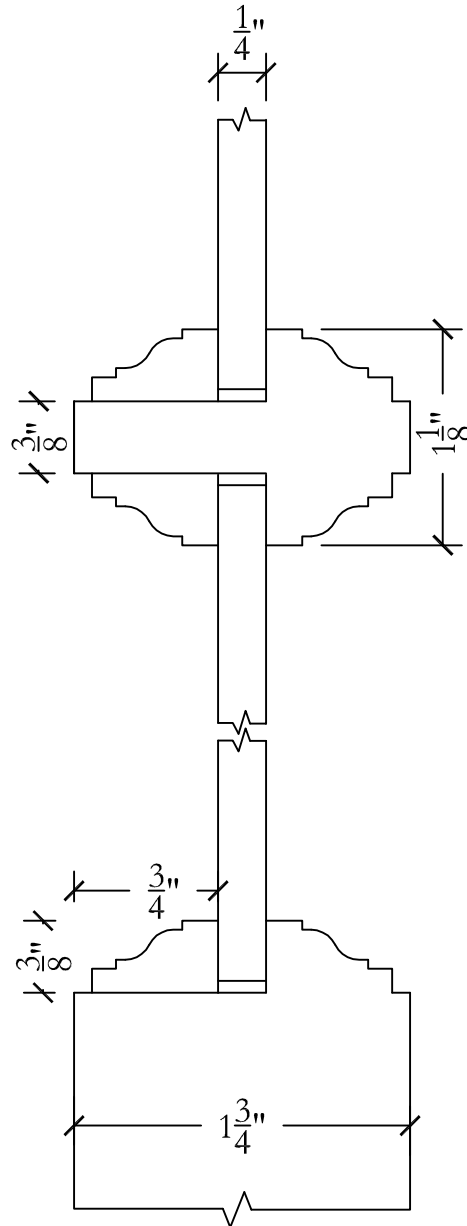


PROFILE 50.1  
7/8" SDL MUNTIN WITH  
1/2" INSULATED GLASS

PROFILE 50.2  
7/8" SDL MUNTIN WITH  
1/2" INSULATED GLASS



PROFILE 51.1  
 1 3/8" TDL MUNTIN WITH  
 1/2" INSULATED GLASS



PROFILE 51.2  
 1 1/8" TDL MUNTIN WITH  
 1/4" GLASS

