

PROFILE 73.1
(V Groove)

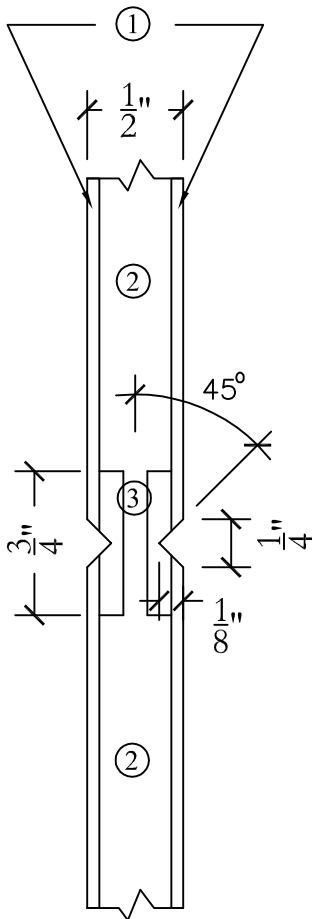
PROFILE 73.2
(Bead)

PROFILE 73.3
(V Groove/Bead)

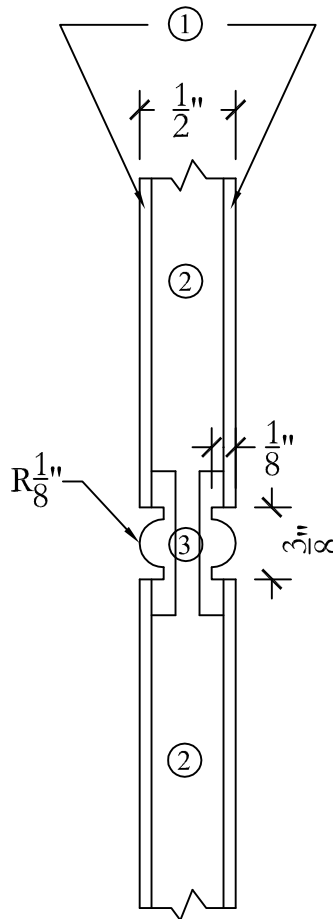
PROFILE 73.4
(Tongue & Groove)

**NOTE: PANEL THICKNESS & COPE CAN BE ALTERED
TO MEET YOUR NEEDS**

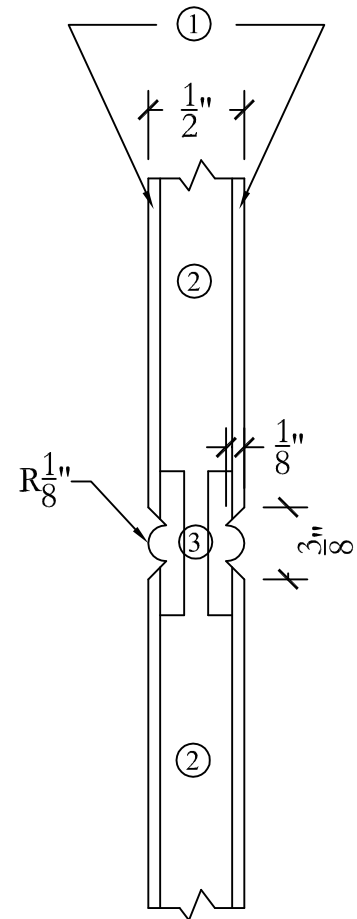
- ① ~ Veneer to match door type
- ② ~ MDF (interior) or Medex (exterior)
- ③ ~ Solid 3/4" wood insert to match door



PROFILE 74.1
 (V Groove)



PROFILE 74.2
 (Bead)



PROFILE 74.3
 (V Groove/Bead)

**NOTE: PANEL THICKNESS & COPE CAN BE ALTERED
 TO MEET YOUR NEEDS**